

DESPIECE TÉCNICO TECHNICAL PARTS

Lavadoras
Washer extractors



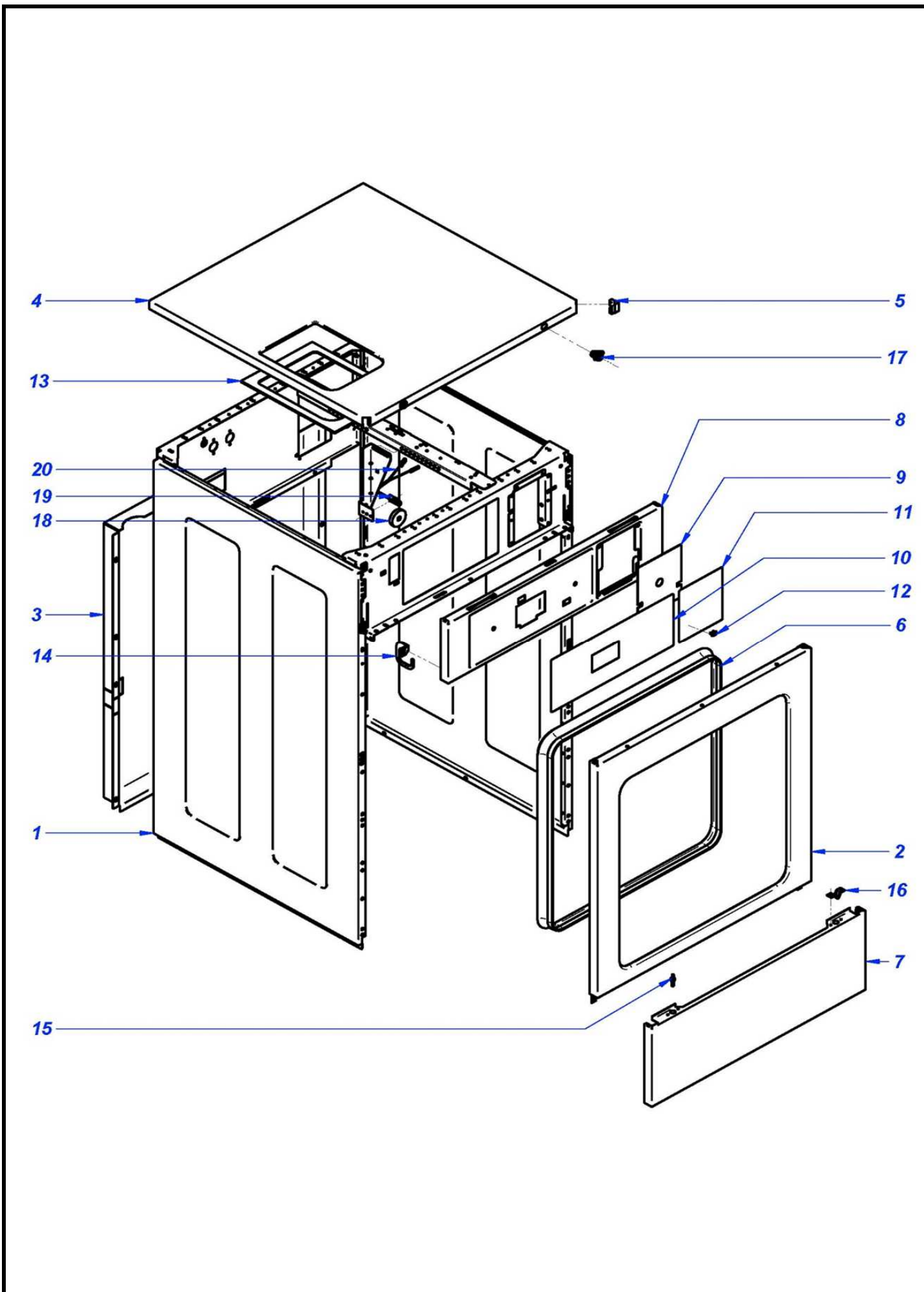
MODELOS
LA-11-14-18-25-35 TP

Diciembre 2015 December
Revisado Julio 2016 July revised



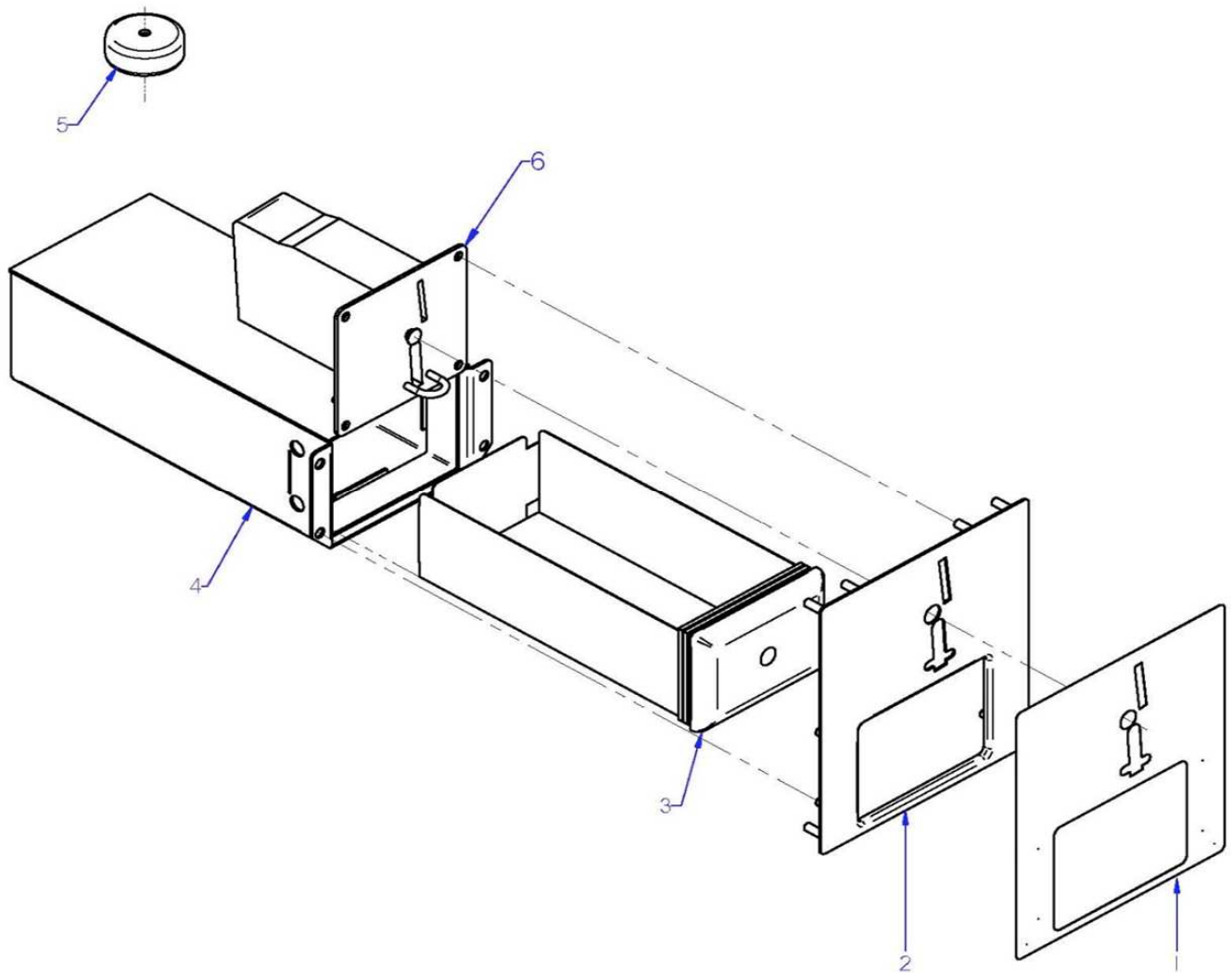
Together we evolve





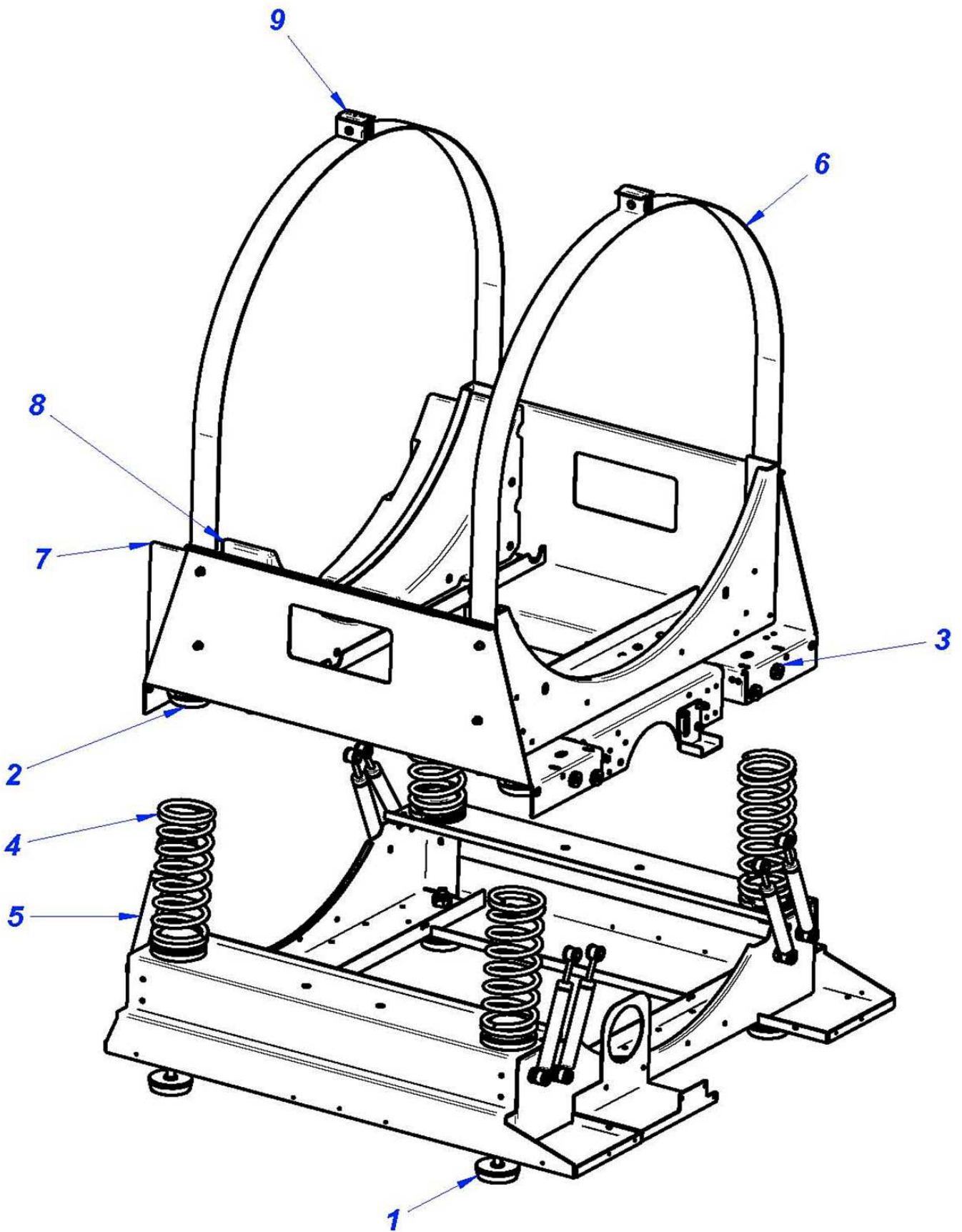
Drawing Nr.	Signature	Date	MUEBLE / CABINET	Sheet
	Iban R.	dic-15	LA-11-14-18-25-35 TP	1





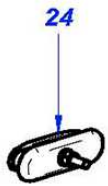
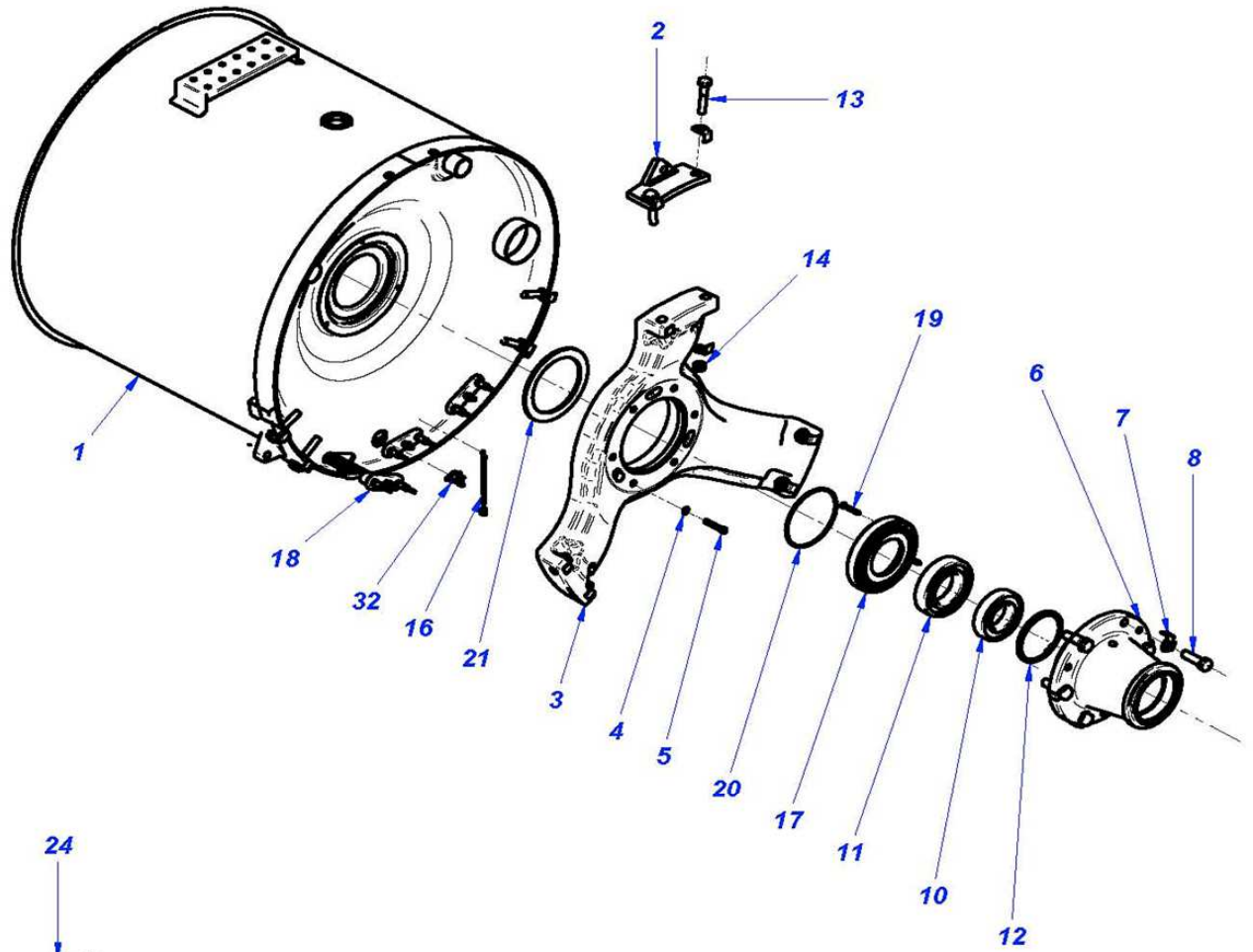
Drawing Nr.	Signature	Date	MONEDERO / KIT COIN	Sheet
	Iban R.	dic-15	LA-11-14-18-25-35 TP	2



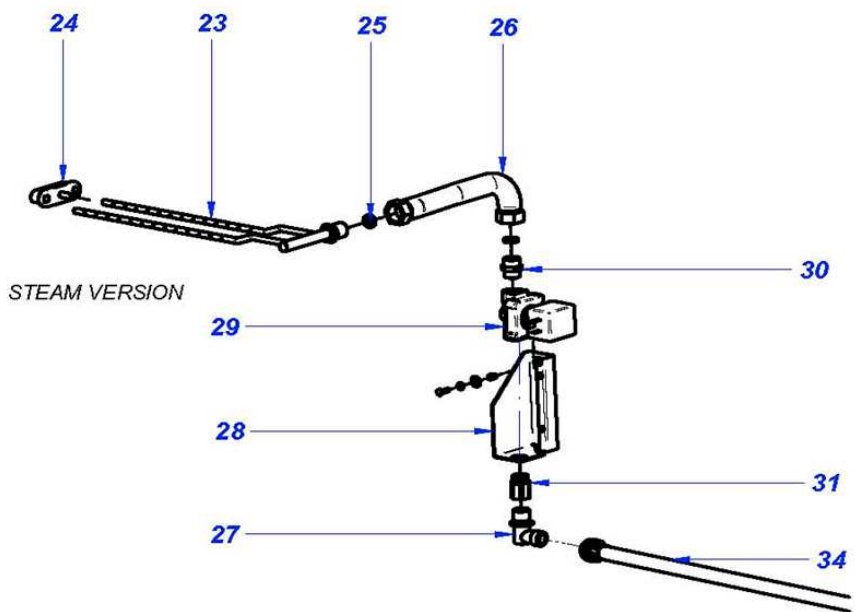


Drawing Nr.	Signature	Date	ARMAZON / FRAME	Sheet
	Iban R.	dic-15	LA-11-14-18-25-35 TP	3

ITEM	REFERENCIA REFERENCE	DENOMINACIÓN	DENOMINATION	LA-11 TP	LA-14 TP	LA-18 TP	LA-25 TP	LA-35 TP			RECOMMENDED	ELIMINADO ELIMINATED	INTRODUCIDO INTRODUCED
1	12024963	PATA LAVADORAS	WASHER EXTRACTOR FOOT	4	4	4	4	4					
2	12023345	BASE MUELLE	SPRING BASE	8	8	8	8	8					
3	12023467	CASQUILLO AMORTIGUADORES	DUMPER BUSHING	8	16	16	16	24					
4	12023286	MUELLE 8	SPRING 8	4									
4	12023287	MUELLE 13	SPRING 13		4								
4	12024496	MUELLE 18	SPRING 18			4							
4	12023259	MUELLE 25	SPRING 25				4						
4	12112622	MUELLE 35	SPRING 35					4					
5	12025077	AMORTIGUADOR 120N SUSPA	DAMPER 120N	4		8	8				X		
5	12025078	AMORTIGUADOR 90N SUSPA	DAMPER 90N		8						X		
5	12024980	AMORTIGUADOR 140N SUSPA	DAMPER 140					12			X		
6	12003855	CUNA COMPLETA 10	COMPLETE CRADLE 10	1									
6	12003877	CUNA COMPLETA 13	COMPLETE CRADLE 13		1								
6	12004000	CUNA COMPLETA 18	COMPLETE CRADLE 18			1							
6	12004021	CUNA COMPLETA 25	COMPLETE CRADLE 25				1						
6	12097429	CUNA COMPLETA 35	COMPLETE CRADLE 35					1					
7	12023250	CONTRAPESO 8	COUNTERWEIGH 8	4									
7	12023233	CONTRAPESO 13	COUNTERWEIGH 13		4								
7	12023227	CONTRAPESO DELANTERO 18	FRONT COUNTERWEIGH 18			2							
7	12023207	CONTRAPESO DELANTERO 25	FRONT COUNTERWEIGH 25				2						
7	12098293	CONTRAPESO DELANTERO 35	FRONT COUNTERWEIGH 35					2					
8	12023212	CONTRAPESO POSTERIOR 18	BACK COUNTERWEIGH 18			2							
8	12023203	CONTRAPESO POSTERIOR 25	BACK COUNTERWEIGH 25				2						
8	12098294	CONTRAPESO POSTERIOR 35	BACK COUNTERWEIGH 35					2					
9	12007919	AMARRE ABRAZADERA	CLAMP FASTENING	4	4	4	4	4					



HOT WATER VERSION

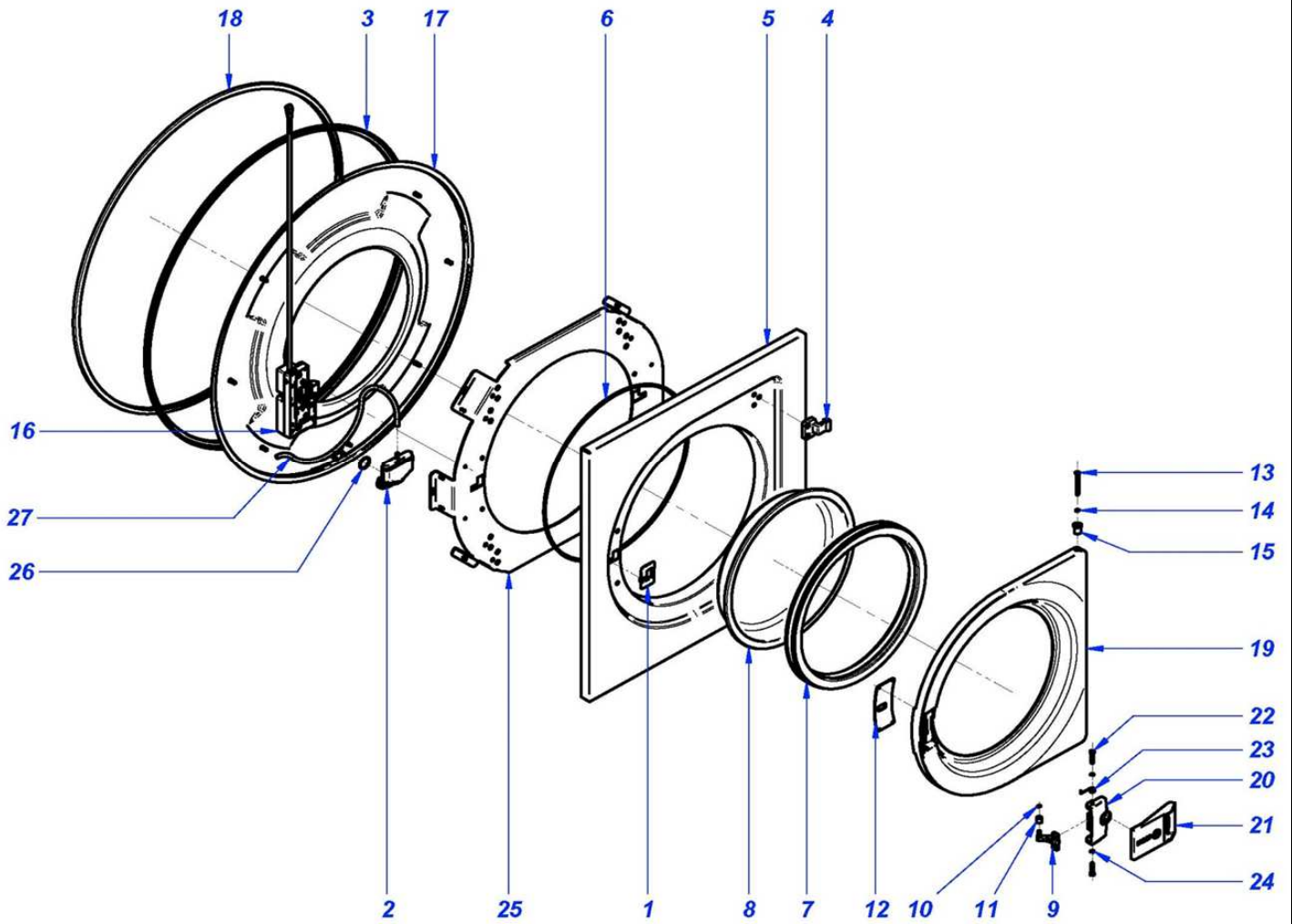


STEAM VERSION

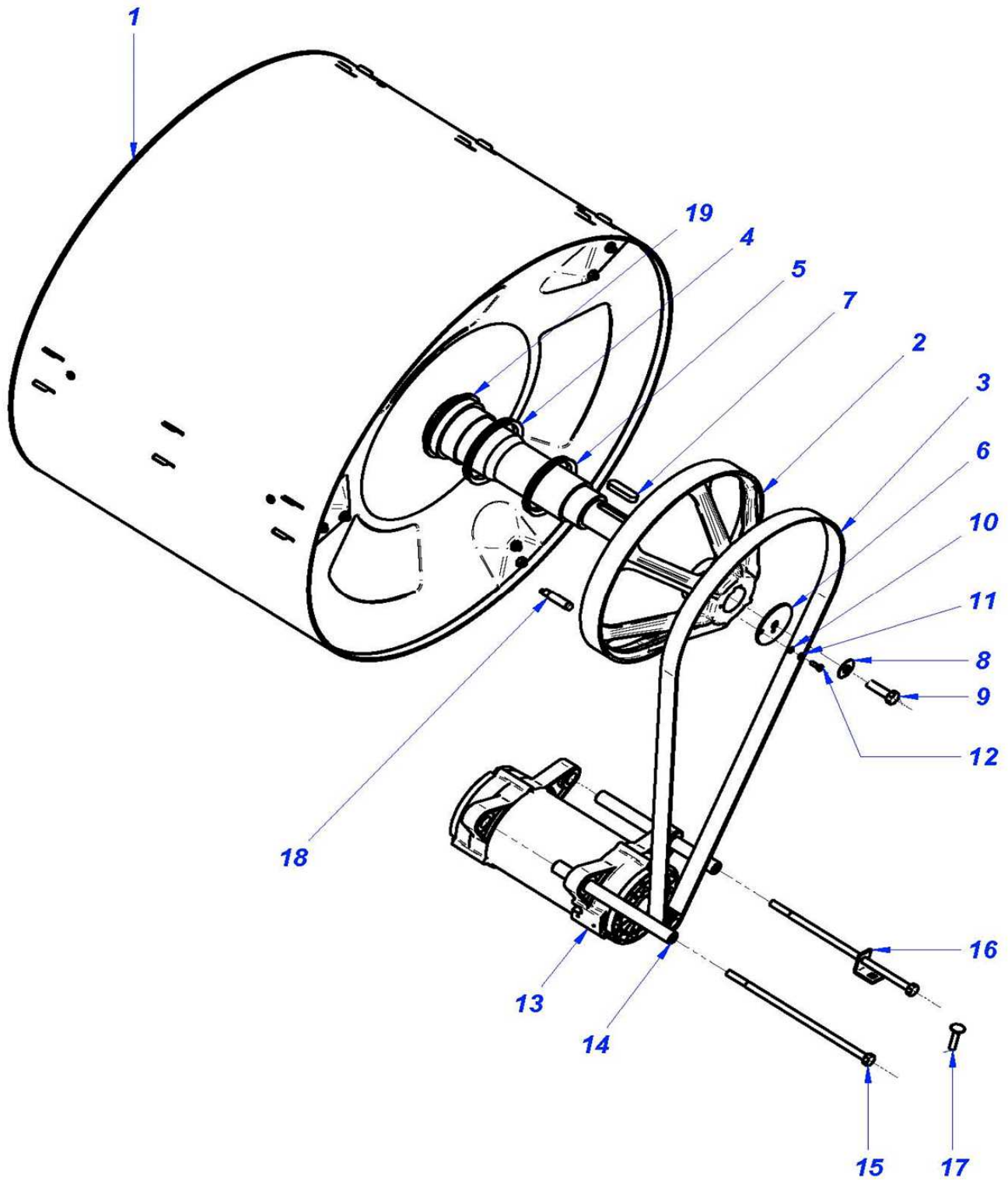
Drawing Nr.	Signature	Date	CUBA / TUB	Sheet
	Iban R.	sep-15	LA-11-14-18-25-35 TP	3



ITEM	REFERENCIA REFERENCE	DENOMINACIÓN	DENOMINATION	LA-11 TP	LA-14 TP	LA-18 TP	LA-25 TP	LA-35 TP			RECOMMENDED	ELIMINADO ELIMINATED	INTRODUCIDO INTRODUCED
1	12121090	CUBA COMPLETA	COMPLETE TUB	1									
1	12121068	CUBA COMPLETA	COMPLETE TUB		1								
1	12121182	CUBA COMPLETA	COMPLETE TUB			1							
1	12126191	CUBA COMPLETA	COMPLETE TUB				1						
1	12097297	CUBA COMPLETA	COMPLETE TUB					1					
2	12023348	APOYO TORNILLOS 8	SCREW SUPPORT 8	3									
2	12023329	APOYO TORNILLOS 13	SCREW SUPPORT 13		3								
2	12023317	APOYO TORNILLOS 18	SCREW SUPPORT 18			3							
2	12023327	APOYO TORNILLOS 25	SCREW SUPPORT 25				3						
2	12097420	APOYO TORNILLOS 35	SCREW SUPPORT 35					3					
3	12023200	REFUERZO FONDO CUBA	TUB BASE REINFORCEMENT	1									
3	12023193	REFUERZO FONDO CUBA	TUB BASE REINFORCEMENT		1								
3	12023188	REFUERZO FONDO CUBA	TUB BASE REINFORCEMENT			1							
3	12023187	REFUERZO FONDO CUBA	TUB BASE REINFORCEMENT				1						
3	12046408	REFUERZO FONDO CUBA	TUB BASE REINFORCEMENT					1					
4	12009868	ARANDELA PLANA 6MM DIN125	FLAT WASHER 6MM DIN125	3	3	3	5	5					
5	12010106	TORNILLO DIN 912 M6X35	SCREW DIN 912 M6X35	3	3	3	5	5					
6	12095450	SOPORTE RODAMIENTOS	BEARING SUPPORT	1									
6	12095451	SOPORTE RODAMIENTOS	BEARING SUPPORT		1								
6	12095452	SOPORTE RODAMIENTOS	BEARING SUPPORT			1							
6	12095453	SOPORTE RODAMIENTOS	BEARING SUPPORT				1						
6	12096461	SOPORTE RODAMIENTOS	BEARING SUPPORT					1					
7	12010114	ARAND. SEG. 13 DIN 463	SAFETY WASHER 13 DIN 463	6	6								
7	12010075	ARAND. SEG. 15 DIN 463	SAFETY WASHER 15 DIN 463			6							
7	12010072	ARAND. SEG. 16 DIN 463	SAFETY WASHER 16 DIN 463				10	10					
8	12009880	TORNILLO M12X40MM DIN933	SCREW M12X40MM DIN933	6									
8	12009902	TORNILLO M12X55MM DIN931	SCREW M12X55MM DIN931		6								
8	12009931	TORNILLO M14X70MM DIN931	SCREW M14X70MM DIN931			6	10						
8	12009917	TORNILLO M16X80MM DIN931	SCREW M16X80MM DIN931					10					
10	12024905	RODAMIENTO 45/85/19	BEARING 45/85/19	1									
10	12024886	RODAMIENTO 6210 DDU	BEARING 6210-2Z		1								
10	12023485	RODAMIENTO 6212-2RS1	BEARING 6212-2RS1			1							
10	12023428	RODAMIENTO 6312-2Z	BEARING 6312-2Z				1						
10	12097296	RODAMIENTO 6316 ZZ (80x170x39)	BEARING 6316 ZZ (80x170x39)					1					
11	12024842	RODAMIENTO 55/100/21	BEARING 55/100/21	1									
11	12023485	RODAMIENTO 6212-2RS1	BEARING 6212-2RS1		1								
11	12023445	RODAMIENTO 6214-2RS1	BEARING 6214-2RS1			1							
11	12023411	RODAMIENTO 6216-2RS1	BEARING 6216-2RS1				1						
11	12097295	RODAMIENTO 6318 DDU (90x190x43)	BEARING 6318 DDU (90x190x43)					1					
12	12009847	ANILLO SEG. INT. 85 DIN-472	LOCKING RING 85 DIN 472	1									
12	12009858	ANILLO SEGURIDAD 90 DIN472	LOCKING RING 90 DIN 472		1								
12	12009802	ANILLO SEGURIDAD J110X4 DIN472	LOCKING RING J110X4 DIN472			1							
12	12009798	ANILLO SEG. INT 130 DIN-472	LOCKING RING 130 DIN-472				1						
12	12124794	ANILLO SEG. INT 170 DIN472-I	LOCKING RING 170 DIN-472					1					
12	12124798	ANILLO SEG. INT 190 DIN472-I	LOCKING RING 190 DIN-472					1					
13	12009902	TORNILLO HEX. M12X55MM DIN931	HEXAG. SCREW M12X55MM DIN931	6									
13	12009887	TORNILLO HEX. M14X50MM DIN931	HEXAG. SCREW M14X50MM DIN931		6								
13	12009814	TORNILLO HEX. M14X70MM DIN933	HEXAG. SCREW M14X70MM DIN933			6	10						
13	12009917	TORNILLO HEX. M16X80MM DIN933	HEXAG. SCREW M16X80MM DIN933					10					
14	12010089	TC AUTOBLOC. FE ZN M14 DIN985	TC AUTOBLOC. FE ZN M14 DIN985	6	6	6	6						
14	12010061	TC AUTOBLOC. FE ZN M16 DIN985	TC AUTOBLOC. FE ZN M16 DIN985					6					
16	12025036	SONDA 64KOHMIO NTC	64KOHM NTC PROBE	1	1	1	1	1			X		
17	12023238	CASQUILLO CONTRA RETEN	COUNTERSEAL BUSHING	1									
17	12023224	CASQUILLO CONTRA RETEN	COUNTERSEAL BUSHING		1								
17	12023213	CASQUILLO CONTRA RETEN	COUNTERSEAL BUSHING			1							
17	12023205	CASQUILLO CONTRA RETEN	COUNTERSEAL BUSHING				1						
17	12097308	CASQUILLO CONTRA RETEN	COUNTERSEAL BUSHING					1					
18	12096226	RESIST. CALENT. 2000W	HEATING RESISTOR 2000W	3							X		
18	12096023	RESIST. CALENT. 3000W	HEATING RESISTOR 3000W		3						X		
18	12096051	RESIST. CALENT. 4000W	HEATING RESISTOR 4000W			3					X		
18	12041359	RESIST. CALENT. 6000W	HEATING RESISTOR 6000W				3				X		
18	12092855	RESIST. CALENT. 7000W	HEATING RESISTOR 7000W					3			X		
19	12010170	TORNILLO INOX M5X30MM DIN912	S. STEEL BOLT M5X30 DIN912	3	3	3	3	5					
20	12009980	JUNTA TORICA 102x3	O-RING 102x3	1									
20	12009940	JUNTA TORICA 114x3	O-RING 114x3		1								
20	12009926	JUNTA TORICA 128x3	O-RING 128x3			1							
20	12010168	JUNTA TORICA 150x3	O-RING 150x3				1						
20	12025230	JUNTA TORICA 200x3	O-RING 200x3					1					



Drawing Nr.	Signature	Date	FRENTE CUBA / TUB FRONT	Sheet
	Iban R.	oct-15	LA-11-14-18-25-35 TP	5



Drawing Nr.	Signature	Date	TAMBOR / DRUM	Sheet
	Iban R.	oct-15	LA-11-14-18-25-35 TP	6

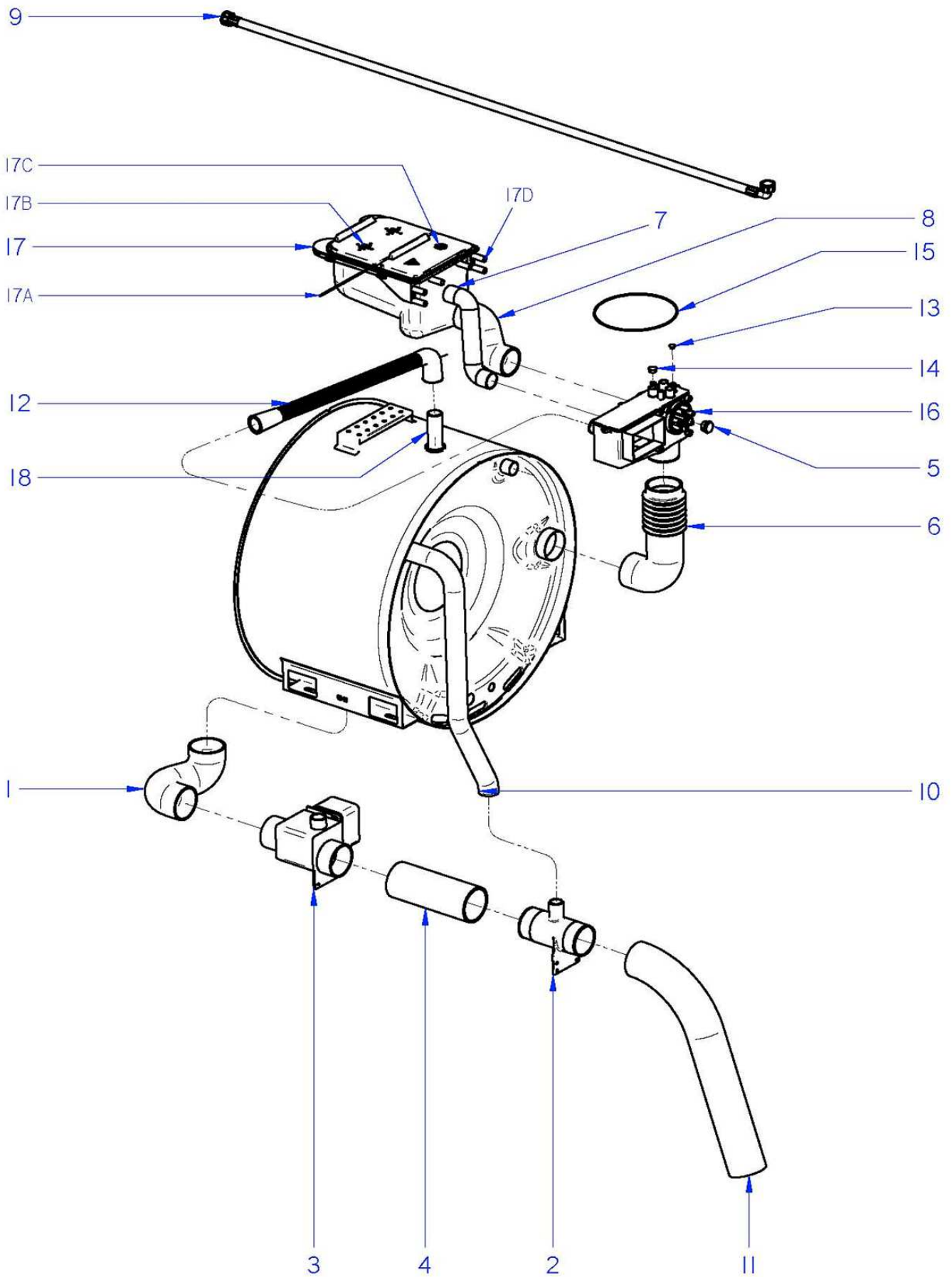


TAMBOR / DRUM

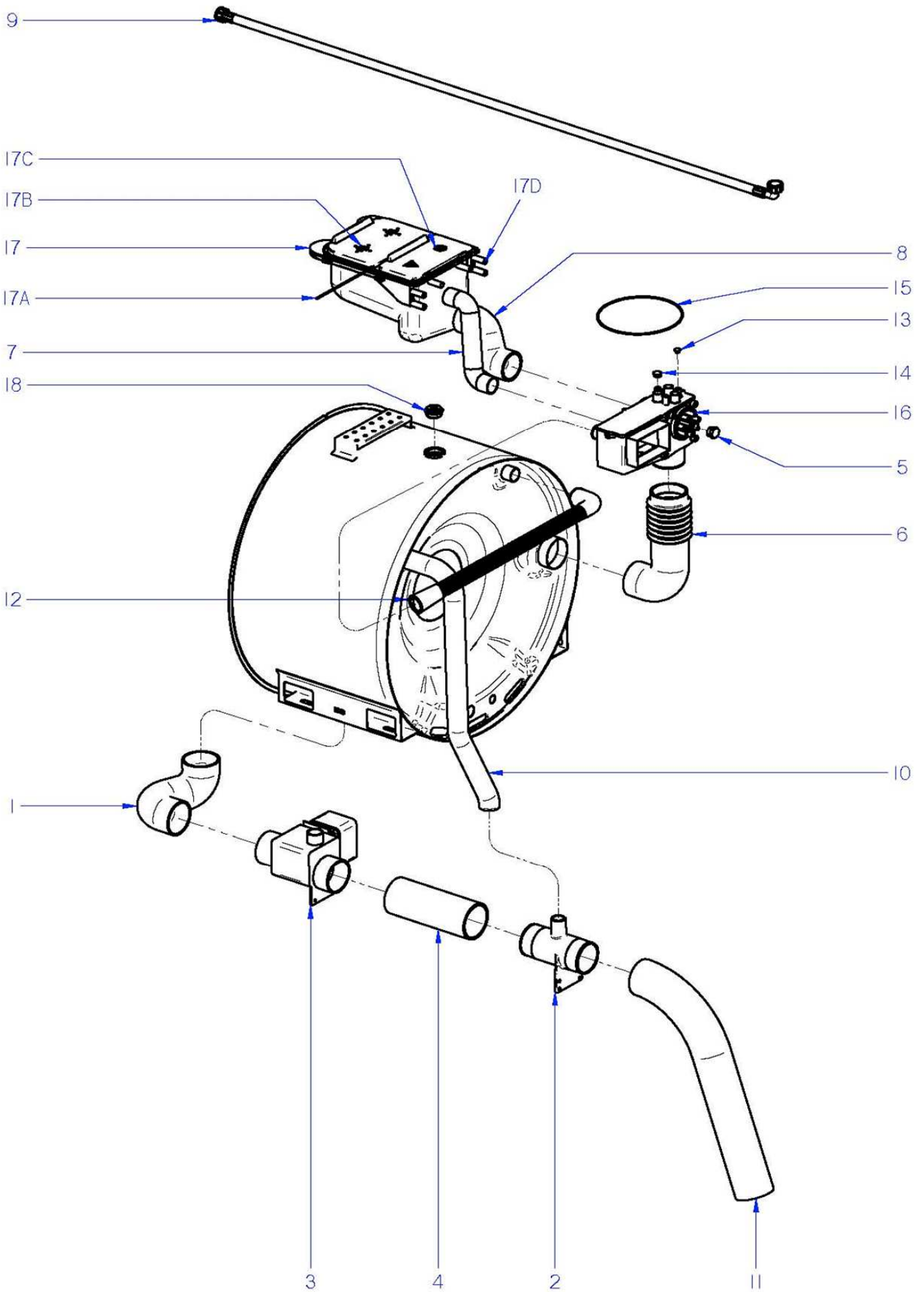
LAMINA / DRAWING



ITEM	REFERENCIA REFERENCE	DENOMINACIÓN	DENOMINATION	LA-11 TP	LA-14 TP	LA-18 TP	LA-25 TP	LA-35 TP			RECOMMENDED	ELIMINADO ELIMINATED	INTRODUCIDO INTRODUCED
1	12004082	TAMBOR COMPLETO	COMPLETE DRUM	1									
1	12004087	TAMBOR COMPLETO	COMPLETE DRUM		1								
1	12004100	TAMBOR COMPLETO	COMPLETE DRUM			1							
1	12004126	TAMBOR COMPLETO	COMPLETE DRUM				1						
1	12097273	TAMBOR COMPLETO	COMPLETE DRUM					1					
2	12023279	POLEA TAMBOR	DRUM PULLEY	1									
2	12024919	POLEA TAMBOR	DRUM PULLEY		1	1							
2	12023249	POLEA TAMBOR	DRUM PULLEY				1						
2	12097389	POLEA TAMBOR	DRUM PULLEY					1					
3	12023273	CORREA POLY-V PJ 1301 (8 DIENTES)	BELT POLY-V PJ 1301 (8 TEETH)	1							X		
3	12023269	CORREA POLY-V PJ 1600 (8 DIENTES)	BELT POLY-V PJ 1600 (8 TEETH)		1						X		
3	12023267	CORREA POLY-V PJ 1663 (8 DIENTES)	BELT POLY-V PJ 1663 (8 TEETH)			1					X		
3	12023252	CORREA POLY-V PJ 1854 (12 DIENT.)	BELT POLY-V PJ 1854 (12 TEETH)				1				X		
3	12104292	CORREA POLY-V PJ 2083 (12 DIENT.)	BELT POLY-V PJ 2083 (12 TEETH)					1			X		
4	12025038	RETEN V-RING VA-80 VITON	V-RING RETAINER VA-80 VITON	1									
4	12024987	RETEN V-RING VA-85 VITON	V-RING RETAINER VA-85 VITON		1								
4	12024988	RETEN V-RING VA-95 VITON	V-RING RETAINER VA-95 VITON			1							
4	12024993	RETEN V-RING VA-100 VITON	V-RING RETAINER VA-100 VITON				1						
4	12046264	RETEN VA-110 VITON	V-RING RETAINER VA-110 VITON					1					
5	12025226	RETEN V-RING 65 NBR	V-RING RETAINER 65A NBR	1									
5	12025221	RETEN V-RING VA-70 NBR	V-RING RETAINER VA-70 VITON		1								
5	12025038	RETEN V-RING VA-80 VITON	V-RING RETAINER VA-80 VITON			1							
5	12024992	RETEN V-RING VA 90	V-RING RETAINER VA-90 VITON				1						
5	12024993	RETEN V-RING VA-100 VITON	V-RING RETAINER VA-100 VITON					1					
6	12021847	ARANDELA POLEA MOTOR	ENGINE PULLEY WASHER	1									
6	12021832	ARANDELA POLEA MOTOR	ENGINE PULLEY WASHER		1	1	1						
6	12103750	ARANDELA POLEA MOTOR	ENGINE PULLEY WASHER					1					
7	12010069	CHAVETA 12x8x40 DIN 6885	COTTER PIN 12x8x40 DIN 6885	1									
7	12025213	CHAVETA TIPO A 14x9x50 DIN 6885	COTTER PIN 14x9x50 DIN 6885 A		1	1	1						
7	12115159	CHAVETA 20x12x63 DIN6885 TIPO A	COTTER PIN 20x12x63 DIN 6885 A					1					
8	12009896	ARANDELA SEG. FE ZN 12MM DIN432	SAFETY WASHER FE ZN 12MM DIN432	1	1	1	1	1					
9	12010069	TORNILLO FE ZN M12X40MM DIN933	SCREW FE ZN M12X40MM DIN933	1	1	1	1	1					
13	12023197	MOTOR 230V AC 3N 750W 2800RPM	ENGINE 230V AC 3N 750W 2800RPM	1							X		
13	12023195	MOTOR 230V AC 3N 1100W 2800RPM	ENGINE 230V AC 3N 1100W 2800RPM		1						X		
13	12023194	MOTOR 230V AC 3N 2200W 2800RPM	ENGINE 230V AC 3N 2200W 2800RPM			1					X		
13	12023189	MOTOR 230V AC 3N 3KW 2800RPM	ENGINE 230V AC 3N 3KW 2800RPM				1				X		
13	12046405	MOTOR 230V AC 3N 4KW 1500RPM	ENGINE 230V AC 4N 3KW 1500RPM					1			X		
14	12023322	TUBO SOPORTE MOTOR	ENGINE SUPPORT HOSE	2									
14	12023319	TUBO SOPORTE MOTOR	ENGINE SUPPORT HOSE		2								
14	12023310	TUBO SOPORTE MOTOR	ENGINE SUPPORT HOSE			2							
14	12023307	TUBO SOPORTE MOTOR	ENGINE SUPPORT HOSE				2	2					
15	12009921	TORNILLO FE ZN M10X150MM DIN931	SCREW FE ZN M10X150MM DIN931	2									
15	12009900	TORNILLO FE ZN M10X180MM DIN931	SCREW FE ZN M10X180MM DIN931		2			2					
15	12009818	TORNILLO FE PV M10X220MM DIN931	SCREW FE PV M10X220MM DIN931			2	2						
16	12023118	TENSOR MOTOR	ENGINE TENSOR	1	1	1	1	1					
17	12010045	TORN DIN 603 M8x35 ZINC	SCREW DIN 603 M8x35 ZN	1	1	1	1	1					
18	12114100	SENSOR MAGNATICO 12V	MAGNETIC SENSOR 12V	1	1	1	1	1			X		
19	12007773	CASQUILLO EJE	AXIS BUSHING	1									
19	12023262	CASQUILLO EJE	AXIS BUSHING		1								
19	12023256	CASQUILLO EJE	AXIS BUSHING			1							
19	12007749	CASQUILLO EJE	AXIS BUSHING				1						
19	12097355	CASQUILLO EJE	AXIS BUSHING					1					

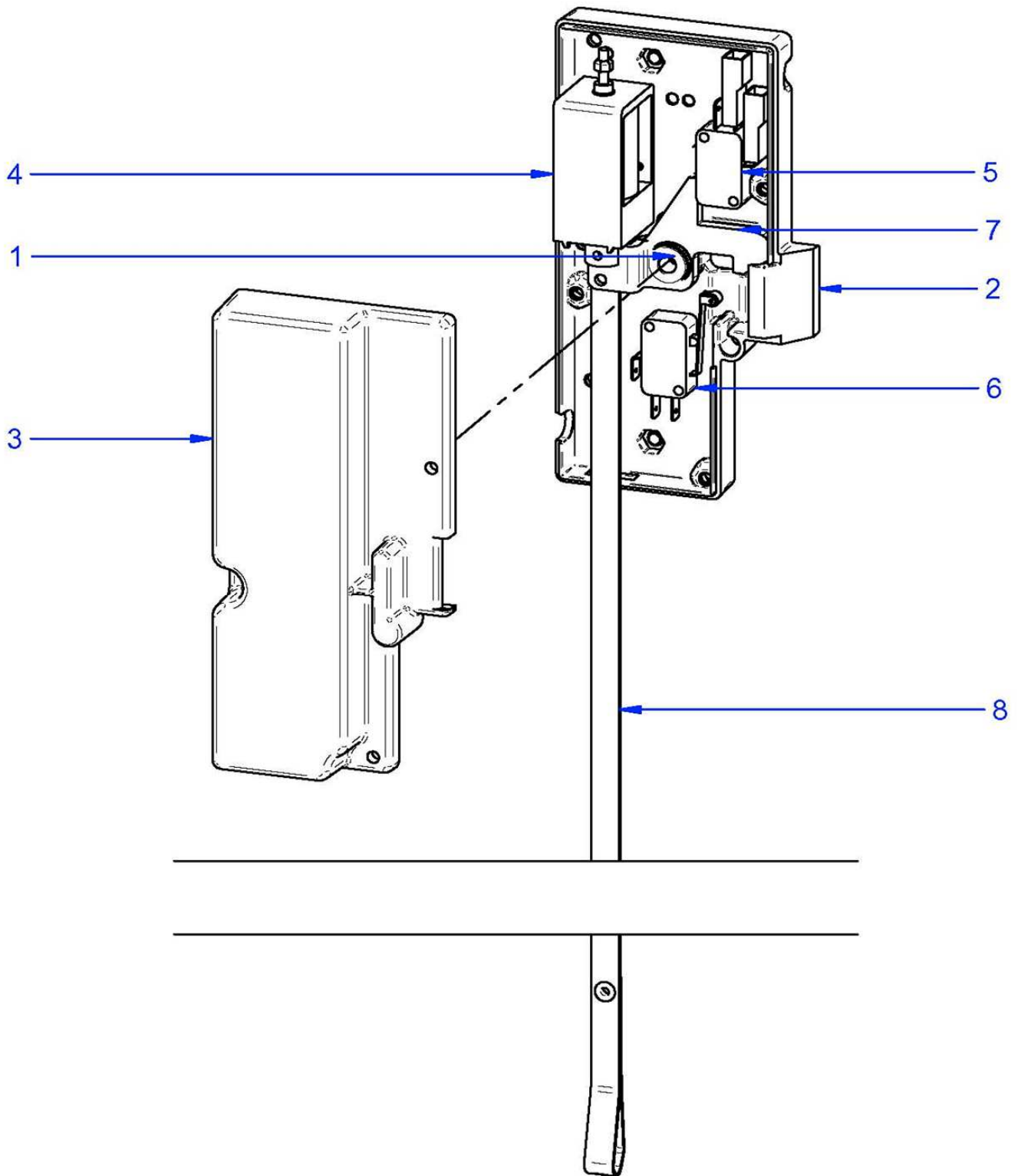


Drawing Nr.	Signature	Date	CUBETERA / TRAY	Sheet
	Iban R.	sep-15	LA-11 TP	7

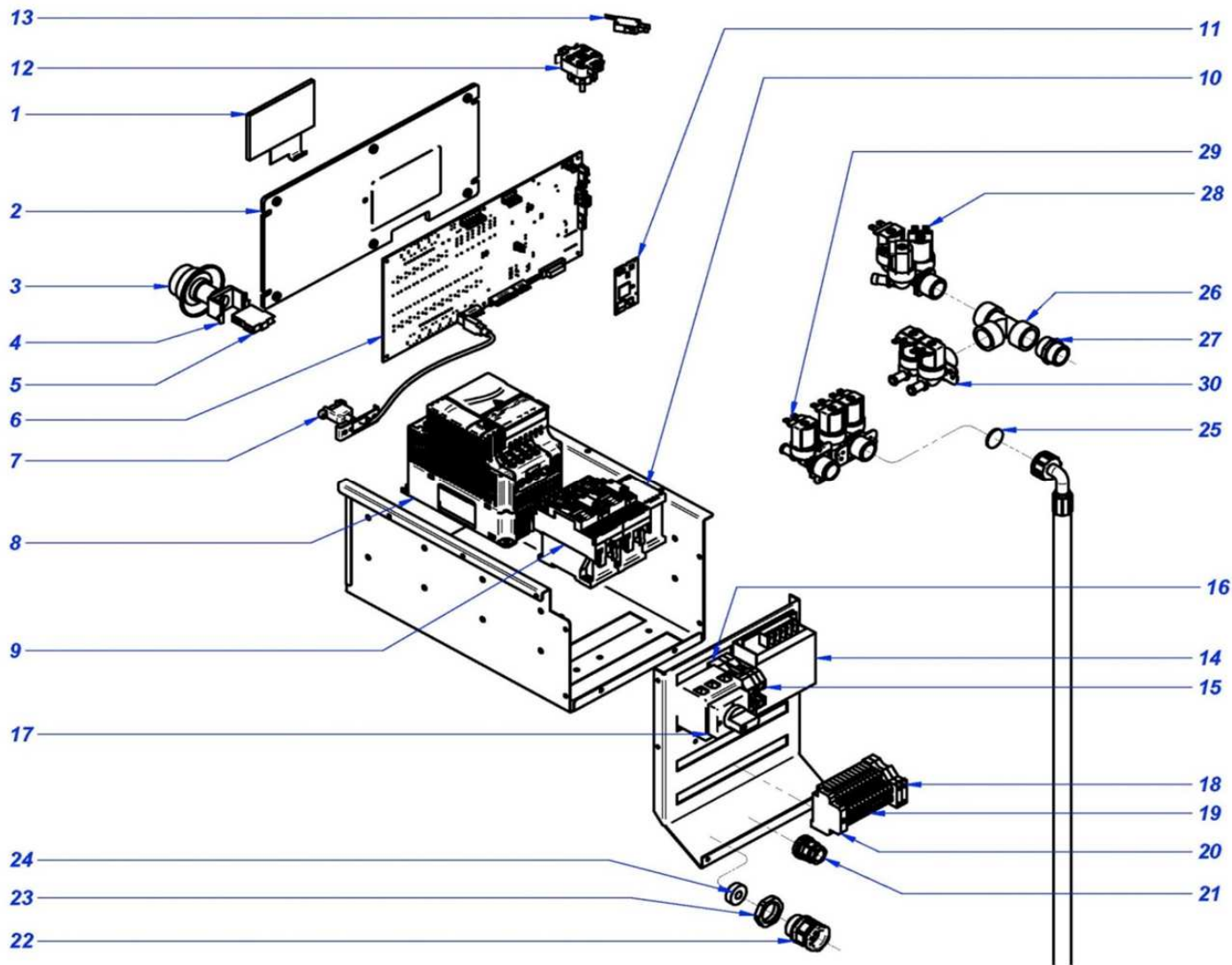


Drawing Nr.	Signature	Date	CUBETERA / TRAY	Sheet
	Iban R.	sep-15	LA-14-18-25-35 TP	8

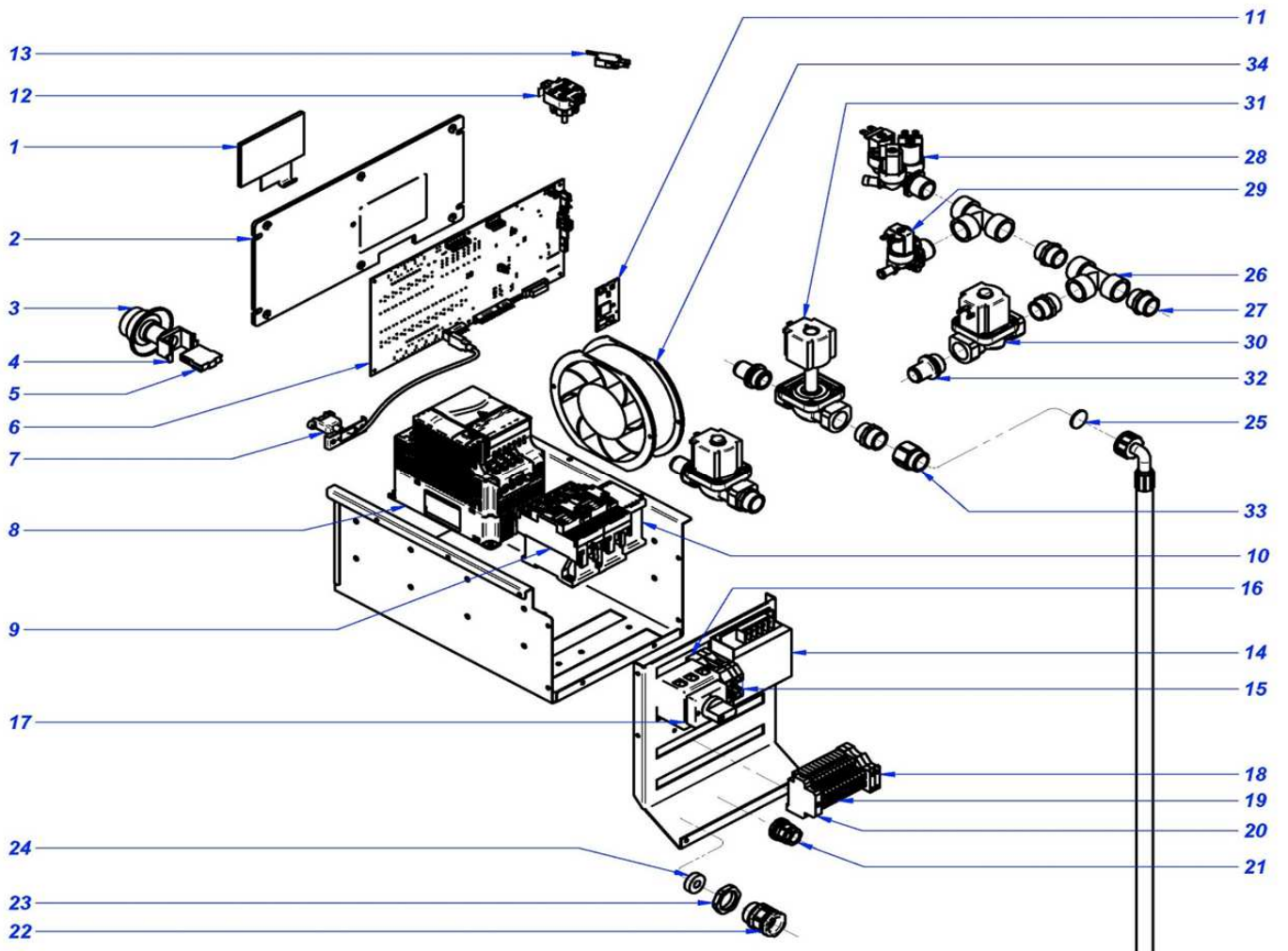
ITEM	REFERENCIA REFERENCE	DENOMINACIÓN	DENOMINATION	LA-11 TP	LA-14 TP	LA-18 TP	LA-25 TP	LA-35 TP			RECOMMENDED	ELIMINADO ELIMINATED	INTRODUCIDO INTRODUCED
1	12044165	CONDUCTO DESAGÜE CUBA	TUB DRAINAGE PIPE	1	1	1							
1	12025016	CONDUCTO DESAGÜE CUBA	TUB DRAINAGE PIPE				1						
1	12007746	CONDUCTO DESAGÜE CUBA	TUB DRAINAGE PIPE					1					
2	12046868	SALIDA DESAGÜE 3"	DRAINAGE OUTPUT 3"	1	1	1	1	1					
3	12024404	VALVULA VACIADO	DRAINAGE VALVE	1	1	1	1	1			X		
4	12046143	CONDUCTO VALVULA-SALIDA	DRAIN VALVE-OUTPUT PIPE	1	1								
4	12046139	CONDUCTO VALVULA-SALIDA	DRAIN VALVE-OUTPUT PIPE			1							
4	12046144	CONDUCTO VALVULA-SALIDA	DRAIN VALVE-OUTPUT PIPE				1	1					
5	12121485	CAPUCHON CON ROSCA SR1126	THREADED CAP SR1126	1	1	1	1	1					
6	12023263	CONDUCTO COLECTOR-CUBA	COLLECTOR BOX-TUP PIPE	1									
6	12025016	CONDUCTO COLECTOR-CUBA	COLLECTOR BOX-TUP PIPE		1								
6	12025017	CONDUCTO COLECTOR-CUBA	COLLECTOR BOX-TUP PIPE			1	1	1					
7	12007856	COND. REBOSADERO CUBETERA	TRAY OVERFLOW PIPE	1	1								
7	12007839	COND. REBOSADERO CUBETERA	TRAY OVERFLOW PIPE			1							
7	12007825	COND. REBOSADERO CUBETERA	TRAY OVERFLOW PIPE				1						
7	12007811	COND. REBOSADERO CUBETERA	TRAY OVERFLOW PIPE					1					
8	12007772	CONDUCTO CUBETERA	TRAY PIPE	1	1								
8	12007776	CONDUCTO CUBETERA	TRAY PIPE			1							
8	12007763	CONDUCTO CUBETERA	TRAY PIPE				1						
8	12007756	CONDUCTO CUBETERA	TRAY PIPE					1					
9	12024115	MANGUERA ENTRADA AGUA	WATER INLET PIPE	1	1	1	1	1					
10	12023265	CONDUCTO REBOSADERO CUBA	TUB OVERFLOW PIPE	1									
10	12023271	CONDUCTO REBOSADERO CUBA	TUB OVERFLOW PIPE		1								
10	12024866	CONDUCTO REBOSADERO CUBA	TUB OVERFLOW PIPE			1							
10	12024833	CONDUCTO REBOSADERO CUBA	TUB OVERFLOW PIPE				1	1					
11	12025026	CONDUCTO DESAGÜE	DRAINAGE PIPE	1	1	1	1	1					
12	12007821	MANGUERA SALIDA VAPOR	STEAM OUTPUT HOSE	1	1	1	1	1					
13	12010034	TAPON CAJA COLECTOR 8	COLLECTOR BOX PLUG 8	3	3	3	3	3					
14	12010013	TAPON CAJA COLECTOR 16	COLLECTOR BOX PLUG 16	1	1	1	1	1					
15	12008049	JUNTA TAPA CAJA COLECTOR	COLLECTOR BOX COVER SEAL	1	1	1	1	1					
16	12129972	CAJA COLECTOR COMPLETA	COMPLETE COLLECTOR BOX	1	1	1	1	1					
17	12007752	CUBETA DE DETERGENTES	DETERGENTS TRAY	1	1	1	1	1					
17A	12010483	EJE TAPAS CUBETA	TRAY COVERS AXIS	2	2	2	2	2					
17B	12010403	TAPA 1	COVER 1	1	1	1	1	1					
17C	12000747	TAPA 2	COVER 2	1	1	1	1	1					
17D	12010088	TAPON CUBETA DETERGENTES	DETERGENT TRAY CAP	2	2	2	2	2					
18	12120434	TUBO SALIDA VAPOR	STEAM OUTPUT TUBE	1									
18	12128218	TAPON CUBA 1" G	TUB CAP 1" G		1	1	1	1					



Drawing Nr.	Signature	Date	CIERRE / LOCK	Sheet
	Iban R.	sep-15	LA-11-14-18-25-35 TP	9



Drawing Nr.	Signature	Date	CUADRO ELECTRICO / ELECTRIC BOARD	Sheet
	Iban R.	dic-15	LAVADORAS LA-11-14-18 TP	12



Drawing Nr.	Signature	Date	CUADRO ELECTRICO / ELECTRIC BOARD	Sheet
	Iban R.	jul-16	LAVADORAS LA-25-35 TP	12

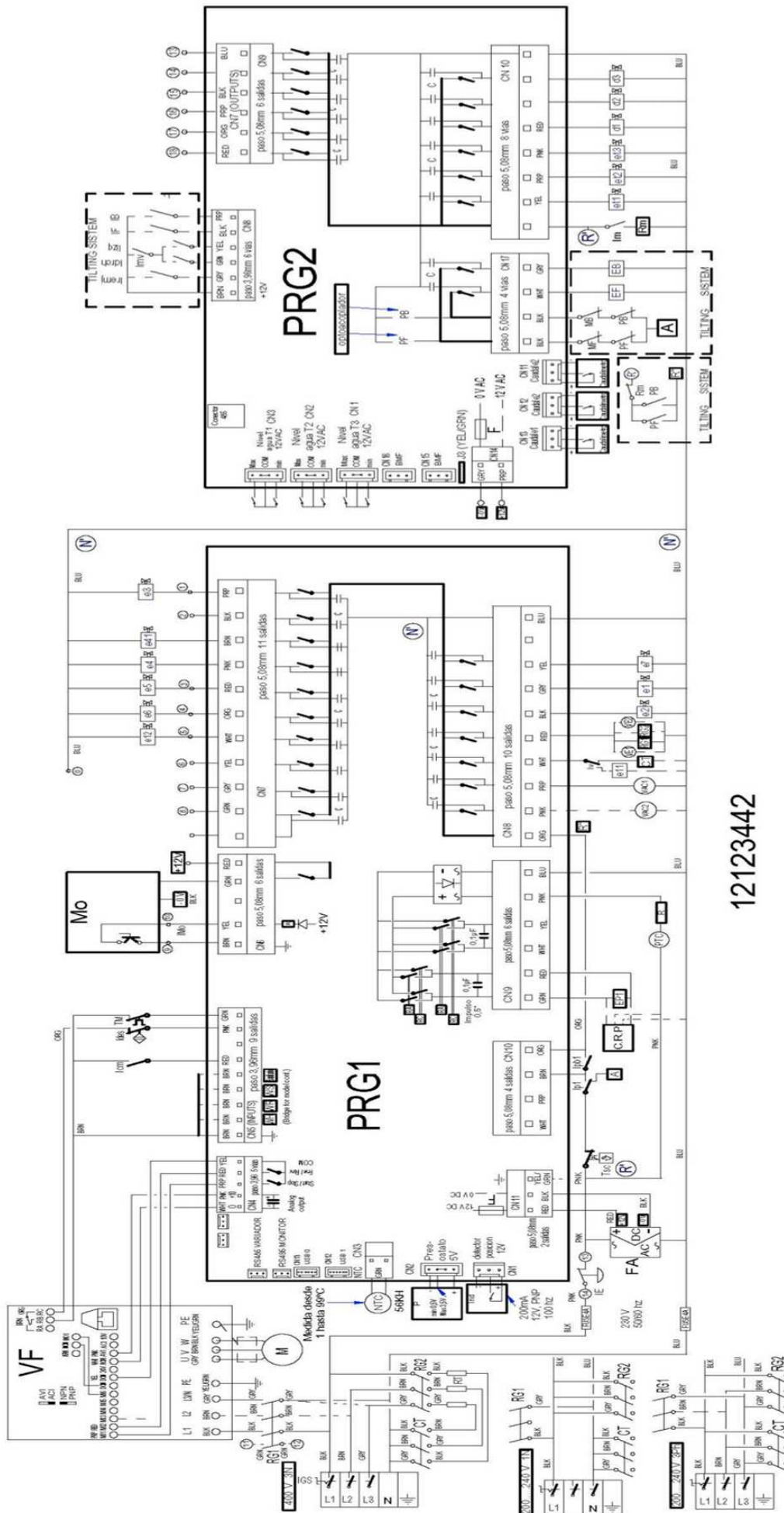


RECOMENDADOS / RECOMMENDED

LAMINA /
DRAWING



ITEM	REFERENCIA REFERENCE	DENOMINACIÓN	DENOMINATION	LAMINA / DRAWING					CONJUNTO FUNCIONAL / FUNCTIONAL PART
				LA-11 TP	LA-14 TP	LA-18 TP	LA-25 TP	LA-35 TP	
10	12113512	ADHESIVO FAGOR TP	FAGOR TP ADHESIVE	1	1	1	1	1	MUEBLE / CABINET
11	12113854	ADHESIVO ON/OFF FAGOR	FAGOR ON/OFF ADHESIVE	1	1	1	1	1	MUEBLE / CABINET
5	12025077	AMORTIGUADOR 120N SUSPA	DAMPER 120N	4		8	8		ARMAZON / FRAME
5	12025078	AMORTIGUADOR 90N SUSPA	DAMPER 90N		8				ARMAZON / FRAME
5	12024980	AMORTIGUADOR 140N SUSPA	DAMPER 140					12	ARMAZON / FRAME
16	12025036	SONDA 64KOHMIO NTC	64KOHM NTC PROBE	1	1	1	1	1	CUBA / TUB
32	12096597	LIMITADOR DE SEGURIDAD	SAFETY THERMOSTAT	1	1	1	1	1	CUBA / TUB
29	12023340	VALVULA VAPOR 1/2 50/60HZ	STEAM VALVE 1/2 50/60HZ	1	1	1			CUBA / TUB
29	12024331	VALVULA VAPOR 3/4" 60HZ.	STEAM VALVE 3/4 60HZ				1	1	CUBA / TUB
18	12096226	RESIST. CALENT. 2000W	HEATING RESISTOR 2000W	3					CUBA / TUB
18	12096023	RESIST. CALENT. 3000W	HEATING RESISTOR 3000W		3				CUBA / TUB
18	12096051	RESIST. CALENT. 4000W	HEATING RESISTOR 4000W			3			CUBA / TUB
18	12041359	RESIST. CALENT. 6000W	HEATING RESISTOR 6000W				3		CUBA / TUB
18	12092855	RESIST. CALENT. 7000W	HEATING RESISTOR 7000W					3	CUBA / TUB
7	12007767	JUNTA PUERTA	DOOR SEAL	1					FR. CUBA / TUB FRONT
7	12023284	JUNTA PUERTA	DOOR SEAL		1	1	1		FR. CUBA / TUB FRONT
7	12048069	JUNTA PUERTA	DOOR SEAL					1	FR. CUBA / TUB FRONT
16	12119770	CIERRE COMPLETO 2015	COMPLETE LOCK 2015	1	1	1	1	1	FR. CUBA / TUB FRONT
3	12023273	CORREA POLY-V PJ 1301 (8 DIENTES)	BELT POLY-V PJ 1301 (8 TEETH)	1					TAMBOR / DRUM
3	12023269	CORREA POLY-V PJ 1600 (8 DIENTES)	BELT POLY-V PJ 1600 (8 TEETH)		1				TAMBOR / DRUM
3	12023267	CORREA POLY-V PJ 1663 (8 DIENTES)	BELT POLY-V PJ 1663 (8 TEETH)			1			TAMBOR / DRUM
3	12023252	CORREA POLY-V PJ 1854 (12 DIENT.)	BELT POLY-V PJ 1854 (12 TEETH)				1		TAMBOR / DRUM
3	12104292	CORREA POLY-V PJ 2083 (12 DIENT.)	BELT POLY-V PJ 2083 (12 TEETH)					1	TAMBOR / DRUM
13	12023197	MOTOR 230V AC 3N 750W 2800RPM	ENGINE 230V AC 3N 750W 2800RPM	1					TAMBOR / DRUM
13	12023195	MOTOR 230V AC 3N 1100W 2800RPM	ENGINE 230V AC 3N 1100W 2800RPM		1				TAMBOR / DRUM
13	12023194	MOTOR 230V AC 3N 2200W 2800RPM	ENGINE 230V AC 3N 2200W 2800RPM			1			TAMBOR / DRUM
13	12023189	MOTOR 230V AC 3N 3KW 2800RPM	ENGINE 230V AC 3N 3KW 2800RPM				1		TAMBOR / DRUM
13	12046405	MOTOR 230V AC 3N 4KW 1500RPM	ENGINE 230V AC 4N 3KW 1500RPM					1	TAMBOR / DRUM
18	12114100	SENSOR MAGNITICO 12V	MAGNETIC SENSOR 12V	1	1	1	1	1	TAMBOR / DRUM
3	12024404	VALVULA VACIADO	DRAINAGE VALVE	1	1	1	1	1	CUBETERA / TRAY
1	12119488	DISPLAY TOUCH PLUS	DISPLAY TOUCH PLUS	1	1	1	1	1	ELECTRICO / ELECTRIC
3	12120235	SETA DE EMERGENCIA	EMERGENCY STOP BUTTON	1	1	1	1	1	ELECTRICO / ELECTRIC
4	12120238	SOPORTE SETA EMERGENCIA	EMERGENCY STOP SUPPORT	1	1	1	1	1	ELECTRICO / ELECTRIC
5	12120237	PULSAD. 250V AC 16A 1VIA 2POS UL	250V AC 16A 1WAY 2POS UL SWITCH	1	1	1	1	1	ELECTRICO / ELECTRIC
6	12120815	TARJETA PRINCIPAL TP (LIGHT)	MAIN BOARD TP (LIGHT)	1	1	1	1	1	ELECTRICO / ELECTRIC
7	12119961	CABLE USB MACHO-HEMBRA	USB WIRE MALE-FEMALE	1	1	1	1	1	ELECTRICO / ELECTRIC
8	12134029	VARIADOR DELTA PROGRAMADO	PROGRAMMED DELTA INVERTER	1					ELECTRICO / ELECTRIC
8	12134031	VARIADOR DELTA PROGRAMADO	PROGRAMMED DELTA INVERTER		1				ELECTRICO / ELECTRIC
8	12134047	VARIADOR DELTA PROGRAMADO	PROGRAMMED DELTA INVERTER			1			ELECTRICO / ELECTRIC
8	12131875	VARIADOR DELTA PROGRAMADO	PROGRAMMED DELTA INVERTER				1		ELECTRICO / ELECTRIC
8	12131879	VARIADOR DELTA PROG. (460V)	PROG. DELTA INVERTER (460V)					1	ELECTRICO / ELECTRIC
8	12134048	VARIADOR DELTA PROG. (230V)	PROG. DELTA INVERTER (230V)					1	ELECTRICO / ELECTRIC
9	12111795	CONTACTOR 230V AC 20A 4via UL	230V AC 20A 4via UL CONTACTOR	2	2	2			ELECTRICO / ELECTRIC
9	12041014	RELE 230V AC 50/60HZ 40A 2VIA	RELAY 230V AC 50/60HZ 40A 2WAY				2	2	ELECTRICO / ELECTRIC
10	12023706	RELE 230V AC 50/60HZ 16A 2VIA	RELAY 230V AC 50/60HZ 16A 2WAY	1	1	1	1		ELECTRICO / ELECTRIC
10	12024040	CONTACTOR 230V AC 20A 4via UL	230V AC 20A 4via UL CONTACTOR					1	ELECTRICO / ELECTRIC
11	12131303	MODULO PROCESADOR GRABADO	RECORDED PROCESSOR MODULE	1	1	1	1	1	ELECTRICO / ELECTRIC
12	12128262	SENSOR DE PRESION 50mbar	50mbar PRESSURE SENSOR	1	1	1	1	1	ELECTRICO / ELECTRIC
14	12116823	TRANSFORMADOR 1N 50W 240V/12V	1N 50W 240V/12V UL TRANSFORMER	1	1	1	1	1	ELECTRICO / ELECTRIC
17	12024628	INTERRUP. 63A 3VIA 2POS SECCI UL	63A 3WAY 2POS ISOLATOR SWITCH	1	1	1	1	1	ELECTRICO / ELECTRIC
28	12023921	ELECTROVALVULA 3 VIAS	3 WAY SOLENOID VALVE	1	1	1	1	1	ELECTRICO / ELECTRIC
29	12025161	ELECTROVALVULA SIMPLE	SIMPLE SOLENOID VALVE	1	1	1	1	1	ELECTRICO / ELECTRIC
30	12023794	ELECTROVALVULA 2 VIAS	2 WAY SOLENOID VALVE	2	2	2			ELECTRICO / ELECTRIC
30	12023551	ELECTROVALVULA SIMPLE	SIMPLE SOLENOID VALVE				3	3	ELECTRICO / ELECTRIC
31	12024622	BOBINADO EV SIMPLE	SIMPLE SOLENOID VALVE COIL				3	3	ELECTRICO / ELECTRIC
34	12024106	VENTILADOR 230V AC 1N 36KW	FAN 230V AC 1N 36KW					1	ELECTRICO / ELECTRIC
	12120274	CABLEADO PTC+R UL	PTC+R UL WIRING	1	1	1	1	1	VIARIOS / VARIOUS



12123442

Drawing Nr.	Signature	Date	ESQUEMA TEORICO / THEORIC. SCHEME	Sheet
	Iban R.	dic-15	LA-11-14-18-25-35 TP	13



Simb / LENG	ESPAÑOL	ENGLISH	FRANÇAIS	DEUTSCH	ITALIANO
CT1, CT2	Contactor Calentamiento	Heating Contactor	Contacteur Chauffe	Heizschutz	Contatore Riscaldamento
CVF	Contactor Variador	Converter Contactor	Convertisseur	Schutz Frequenzumwandler	Contatore Convertitore
5	Dosificador Neutralizante.	Neutralizer feeder	Doseur Neutralisant	Dosier Neutralisanzmittel	Dosatore Neutralizzante
6	Dosificador Jabon liquido.	Liquid soap feeder	Doseur lessive liquide	Dosierweichmittel Flüssigseife	Dosatore sapone liquido
7	Dosificador aditivos.	Additive feeder	Doseur additifs	Dosierweichmittel Zusatzmittel	Dosatore additiv
D.T.	Display/Teclado	Display/Keyboard	Ecran/Clavier	Display/Tastatur	Display/Tastiera
e1	Electro válvula agua Fría.	Cold water electrically operated valve	Electrovanne eau Froide	Elektroventil Kaltwasser	Electrovalvola acqua Fredda
e2	Electro válvula agua Caliente	Hot water electrically operated valve	Electrovanne eau Chaud	Elektroventil Warmwasser	Electrovalvola acqua Calda
e3	Electro válvula Prelavado.	Pre-wash electrically operated valve	Electrovanne Pré-lavage	Elektroventil Vorwaschen	Electrovalvola Prelavaggio
e4, e41	Electro válvula Lavado.	Wash electrically operated valve	Electrovanne Lavage	Elektroventil Hauptwaschgang	Electrovalvola Lavaggio
e5	Electro válvula Lejía.	Bleach electrically operated valve	Electrovanne Eau de Javel	Elektroventil Bleiche	Electrovalvola Candeggina
e6	Electro válvula Suavizante.	Fabric softener electrically operated valve	Electrovanne Assouplissant	Elektroventil Weichspüler	Electrovalvola Ammorbidente
e7	Electro válvula agua Descalcificada	Delimed water electrically operated valve	Electrovanne eau Adoucie	Elektroventil entkalktes Wasser	Electrovalvola acqua Decalcificata
e11	Electro válvula Vapor.	Steam electrically operated valve	Electrovanne Vapeur	Elektroventil Dampf	Equilibrado Vapore
EB	Electro válvula de aire Basculación Trasera	Air Valve of the Back Tilling	Soupape à air de l'inclinaison arrière	Luftventil des rückseitigen Kippens	Valvola per aria di inclinazione posteriore
EF	Electro válvula de aire Basculación Frontal	Air Valve of the Front Tilling	Soupape à air de l'inclinaison avant	Luftventil des vorderen Kippens	Valvola per aria di inclinazione anteriore
EP	Electromán de Puerta.	Door electric magnet	Électroaimant de Porte	Elektromagnet Gerätetur	Elektromagnet Porta
FI	Fusible.	Interference filter	Flitre Anti-parasites	Störungsfilter	Filtro Interferenze
F	Pulsador Parada de emergencia.	Emergency stop push button	Bouton-pousoir Arrêt d'urgence	Sicherung	Fusibile
IE	Interruptor general.	General switch	Interrupteur général	Not-Aus-Taster	Pulsante Arresto di emergenza
IG	Interruptor General de seguridad.	General safety switch	Interrupteur général de sécurité	Hauptschalter	Interruptore generale
IGS	Interruptor General de seguridad. Trasero del Mando.	Back Tilling Switch of Control	Interrupteur Général de sécurité	Sicherheitsauptschalter	Interruptore Generale di sicurezza
IB	Interruptor Basculación Trasero del Mando.	Back Tilling Switch of Control	Commutateur de inclination arrière de commande	Rückseitiger Kippenschalter der Steuerung	Interruptore di inclinazione posteriore di controllo
Irbh	Interruptor Rotación a Derechas del Mando.	Switch of Spins to the Right of Control	Commutateur des rotations à la droite de la commande	Schalter von Drehbeschleunigungen auf der rechten Seite der Steuerung	Interruptore delle rotazioni alla destra di controllo
Ides	Interruptor de desequilibrio.	Unbalance switch	Commutateur de balourd	Ungleichgewichtsschalter	Interruptore di squilibrio
IF	Interruptor Basculación Frontal Mando.	Front Tilling Switch of Control	Front Tilling Switch of Contrôle	Vorderer Kippenschalter der Steuerung	Interruptore di inclinazione anteriore di controllo
Ilzq	Interruptor Rotación a Izquierdas Mando	Switch of Left Spin of Control	Commutateur de rotation gauche de commande	Schalter der linken Drehbeschleunigung der Steuerung	Interruptore della rotazione di sinistra di controllo
Im	Interruptor Movimiento / Parada / Mando	Stopped Motion Switch	Détecteur Darrêt	Münzschalter	Interruptore Portamonete
Imo	Interruptor Monedero.	Coin slide switch	Interrupteur Monnayeur	Schalter Tür geschlossen	Interruptore porta Chiusa
Ip	Interruptor puerta Cerrada.	Closed door switch	Interrupteur porte Fermée	Schalter Tür verriegelt	Interruptore porta bloccata
Irbm	Interruptor puerta bloqueada.	Door lock switch	Interrupteur porte verrouillée	Tränkender Schalter der Steuerung	Interruptore di bloccamento di controllo
Irbmj	Interruptor de Remojo del Mando	Soaking Switch of Control	Commutateur de trempage de commande	Thermostat Limiteur	Termostato Limitatore
Isc	Interruptor seguridad Temperatura	Hi-limit. Thermostat	Thermostat Limiteur	Grenzthermostat	Termostato Limitatore
Iv	Interruptor Vapor	Steam Switch	Commutateur de vapeur	Dampf-Schalter	Interruptore del vapore
M	Motor.	Motor	Motor	Motor	Motore
MB	Interruptor seguridad Basculación Trasero.	Back Tilling Hi-limit Switch	Back Tilling Hi-limit Switch		
MF	Interruptor seguridad Basculación Frontal.	Front Tilling Hi-limit Switch	Front Tilling Hi-limit Switch		
Mlo	Monedero.	Coin slot	Monnayeur	Münzvorrichtung	Portamonete
NTC	Sensor temperatura.	Temperature sensor	Capteur température	Temperatursensor	Sensore temperatura
PB	Presostato Basculación Trasero	Back Tilling Air Pressure Low-Limit	Back Tilling Air Pressure Low-Limit		
PF	Presostato Basculación Frontal	Front Tilling Air Pressure Low-Limit	Front Tilling Air Pressure Low-Limit		
P, P2	Presostato Nivel de agua	Water Level Switch	Water Level Switch		
PRG	Circuito Programador.	Programmer Circuit	Circuit Programmeur	Kreislauf Programmier-richtung	Circuito Programatore
PTC	PTC.	PTC	PTC	PTC	PTC
Rb	Rele Basculación Trasero	Back Tilling Relay	Relais Tilling Relay		
Rf	Rele Basculación Frontal	Front Tilling Relay	Relais Tilling Relay		
Rm	Rele movimiento / Parada	Stopped Motion Relay	Relais Détecteur Darrêt		
Rp	Rele Puerta	Closed door Relay	Relais porte Fermée		
Rpb	Rele Puerta Bloqueada	Door lock Relay	Relais porte verrouillée		
RT	Resistencia Calentamiento.	Heating Resistors	Résistance Chauffage	Widerstand Aufheizung	Resistenza Riscaldamento
TL	Limitador Temperatura	Hi-limit. Thermostat	Thermostat Limiteur	Thermostat	Termostato Limitatore
Tm	Térmico de Motor.	Motor hot-wire	Thermique du Moteur	Motorwärmeschalter	Térmico del Motore
Trf	Transformador	Transformer	Transformateur	Transformator	Trasformatore
Trf SN	Transformador Versión sin Neutro.	Transformer Version without Neutral	Transformateur Version sans Neutre	Transformator Modell ohne Neutralstellung	Trasformatore Versione senza Neutro
VAC, VAC2	Válvula Vaciado	Emptying valve	Vanne Vidange	Ablässventil	Valvola Scarico
VE, VE1, VE2	Ventilador.	Fan	Ventilateur	Ventilator	Ventola
VF	Convertidor de Frecuencia.	Frequency converter	Convertisseur de Fréquence	Frequenzumwandler	Convertitore di Frequenza
VM	Ventilador Motor.	Fan motor	Ventilateur Moteur	Ventilator Motor	Ventola Motore
1...8	Puntos conexión dosificadores.	Feeder connection points	Points raccordement doseurs	Anschlussstellen Dosier-richtungen	Punti connessione dosatori
9 - 10	Entrada de la central de pago 24V =	Central Entrance of payment	Entrée de la central de paiement		
11 - 12	Salida hacia la central de pago	Exit towards Central of Payment	Sortie vers la central de paiement		
COLOR	COLORES	COLOURS	COULEURS	FARBEN	COLORE
a	Azul	Blue	Bleu	Blaue	Blu
am	Amarillo	Yellow	Jaune	Gelb	Giallo
am/ve	Amarillo/verde	Yellow / green	Jaune / vert	Gelb/grün	Giallo/verde
b	Bianco	White	Blanc	Weiß	Bianco
g	Gris	Grey	Gris	Grau	Grigio
m	Marron	Brown	Marron	Braun	Marrone
n	Negro	Black	Noir	Schwarz	Nero
na	Naranja	Orange	Orange	Orange	Arancio
r	Rojó	Red	Rouge	Rot	Rosso
rs	Rosa	Pink	Rose	Rosa	Rosa
ve	Verde	Green	Vert	Grün	Verde
vi	Violeta	Purple	Violet	Violett	Violeta
					P623014000